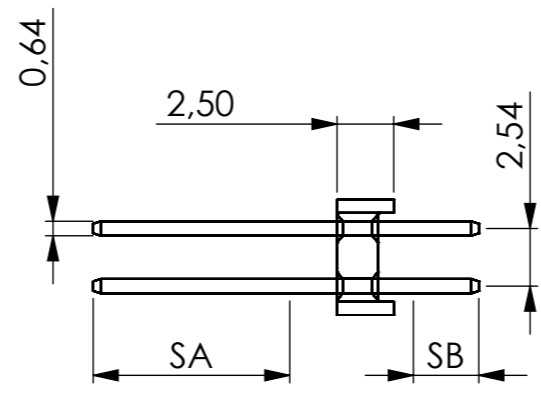
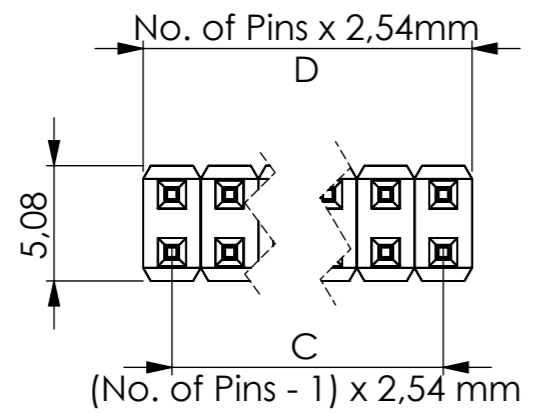
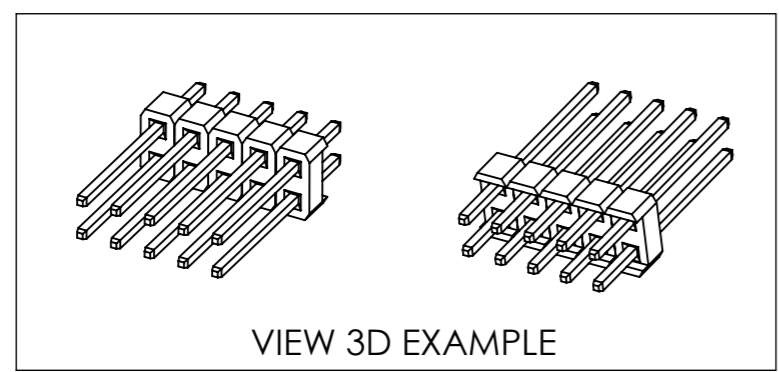
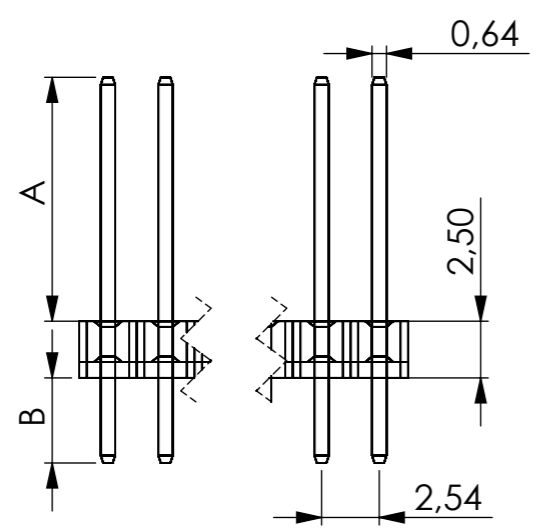


Copyright reserved to ISO 16016  
The property and copyright of this drawing remains the company Samytronic GmbH. It is entrusted to you as the recipient for personal use only. Without a written permission from Samytronic GmbH this may not be copied and reproduced, or sent and made accessible to third parties, especially competitors. Doing so is obliged to pay compensation.

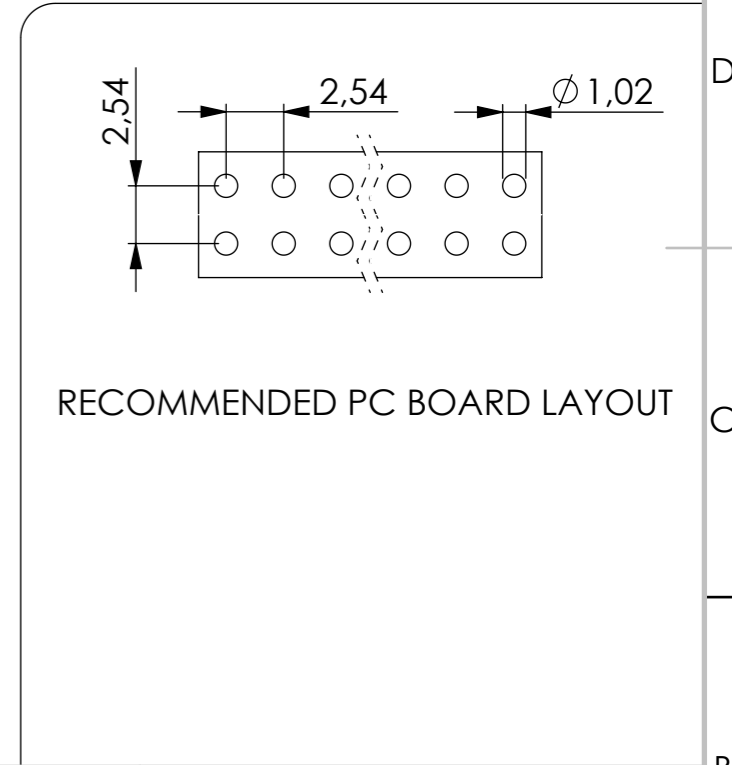


Optional:  
You can specify the area SA or SB,  
which should be selective gold



Specifications  
Electrical:  
Current Rating: 3.0A AC(rms) /DC  
Voltage Rating: 250V AC(rms) /DC  
Contact Resistance: 10 mΩ Max  
Insulation Resistance: 1000 MΩ Min  
Withstanding Voltage: 600V AC r.m.s  
Temperature Range-Operating: -40°C~+105°C

Material:  
Housing: High temperature thermoplastic, UL94V-0  
Pin: copper alloy



						Order Code: FPH254-18-D-XX-X-XX-X-XX-AXX-BXX	
						Description:  PIN HEADER Board-to-Board 2,54 pitch Double Row 180° Angle	
00	Created Part	29.04.24	K.M.	29.04.24	S.R.		
Rev:	Description of change	Date Created:	Name:	Date checked:	Name:	General Tolerances: X.±0.30 X.°±5° X.X±0.2 .X°±2° X.XX±0.15 .XX°±1° X.XXX±0.10 .XXX°±0.5°	Partnumber:  25-xxx
RoHS compliant  REACH compliant							
Material: Copperalloy/Housing: High temperature thermoplastic						 info@samytronic.de www.samytronic.de	
Surface: Gold or Tin						MS-Level: 1	Samytronic GmbH Flensburger Str. 26 33605 Bielefeld Germany
Weight: 0.72	g	Area:	mm <sup>2</sup>	Sheet size: A3	Unit: mm	Scale: 3:1	Projection
						Sheet: 1 OF 2	

# ORDERING INFORMATION

FPH254 - 18 - D - XX - X - XX - X - XX - AXX - BXX

**-FPH254:**  
PIN HEADER 2.54 PITCH

**-09:** 90° Angle  
**-18:** 180° Angle

**-S:** SINGLE ROW  
**-D:** DOUBLE ROW

CONTACTS:  
**-02** up to **-20**

**-B:** BLACK  
**-N:** NATURAL

PLATING SPEC:  
**-01:** 1μ" (0.025μm) GOLD  
**-03:** 3μ" (0.076μm) Selective GOLD  
**-10:** 10μ" (0.25μm) Selective GOLD  
**-30:** 30μ" (0.76μm) Selective GOLD  
**-T:** 120μ" (5μm) MATTE TIN

Optional: You can specify the area on the contact pins A and B, which should be selective gold






LENGTH OF CONTACT PIN B:  
**-B25:** 2.5mm  
**-B37:** 3.7mm

LENGTH OF CONTACT PIN A:

<b>-A30:</b> 3.0mm	<b>-A70:</b> 7.0mm
<b>-A35:</b> 3.5mm	<b>-A75:</b> 7.5mm
<b>-A40:</b> 4.0mm	<b>-A80:</b> 8.5mm
<b>-A45:</b> 4.5mm	<b>-A85:</b> 8.5mm
<b>-A50:</b> 5.0mm	<b>-A90:</b> 9.0mm
<b>-A55:</b> 5.5mm	<b>-A95:</b> 9.5mm
<b>-A60:</b> 6.0mm	<b>-A100:</b> 10mm
<b>-A65:</b> 6.5mm	

OPTION:  
**-PB:** PE BAG  
**-L:** TUBE  
**-LP:** TUBE + PICK PAD  
**-M:** TAPE & REEL  
**-MP:** TAPE & REEL + PICK PAD

**-3:** LCP  
**-7:** PA9T

						Order Code:	
						Description:	
00	Created Part	19.Jun.23	K.M.	19.Jun.23	S.R.		
Rev:	Description of change	Date Created:	Name:	Date checked:	Name:	General Tolerances:	Partnumber:
RoHS compliant  REACH compliant 						X.±0.30 X.°±5° X.X±0.2 X.°±2° X.XX±0.15 .XX°±1° X.XXX±0.10 .XXX°±0.5°	
Material:						 info@samytronic.de www.samytronic.de	
Surface:						MS-Level: 1	Samytronic GmbH Flensburger Str. 26 33605 Bielefeld Germany
Weight:	g	Area:	mm²	Sheet size: A3	Unit: mm	Scale: 3:1	Projection 
						Sheet: 2 OF 2	

Copyright reserved to ISO 16016. The property and copyright of this drawing remains the company Samytronic GmbH. It is entrusted to you as the recipient for personal use only. Without a written permission from Samytronic GmbH this may not be copied and reproduced, or sent and made accessible to third parties, especially competitors. Doing so is obliged to pay compensation.