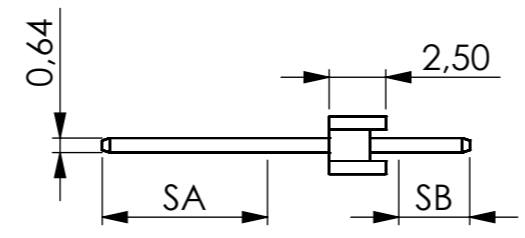
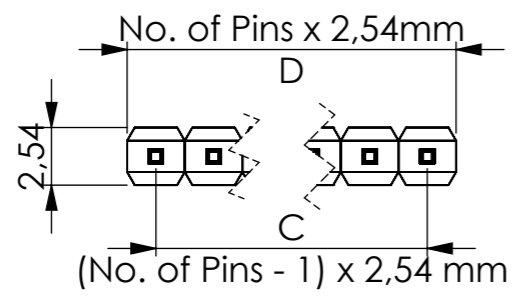
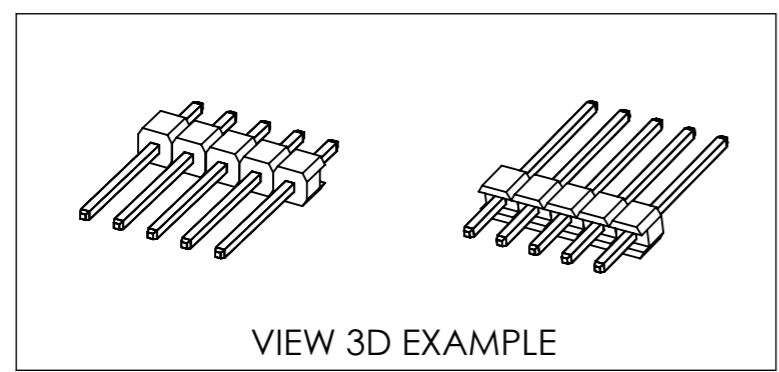
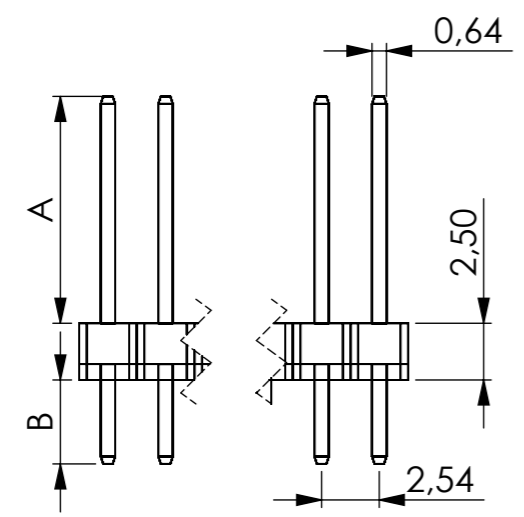


Copyright reserved to ISO 16016
 The property and copyright of this drawing remains the company Samytronic GmbH. It is entrusted to you as the recipient for personal use only. Without a written permission from Samytronic GmbH this may not be copied and reproduced, or sent and made accessible to third parties, especially competitors. Doing so is obliged to pay compensation.

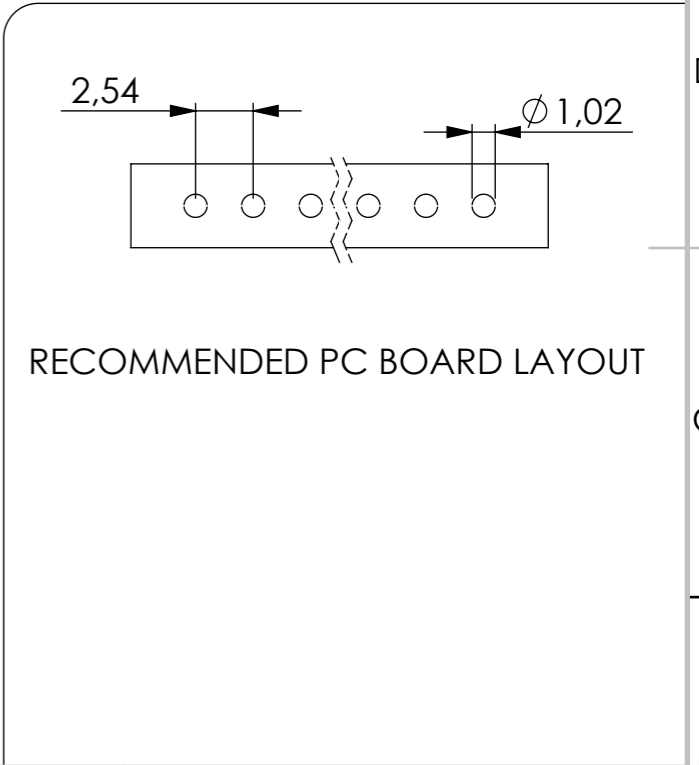


Optional:
 You can specify the area SA or SB,
 which should be selective gold



Specifications
 Electrical:
 Current Rating: 3.0A AC(rms) /DC
 Voltage Rating: 250V AC(rms) /DC
 Contact Resistance: 10 mΩ Max
 Insulation Resistance: 1000 MΩ Min
 Withstanding Voltage: 600V AC r.m.s
 Temperature Range-Operating: -40°C~+105°C

Material:
 Housing: High temperature thermoplastic, UL94V-0
 Pin: copper alloy



						Order Code: FPH254-18-S-XX-X-XX-X-XX-AXX-BXX	
						Description: PIN HEADER Board-to-Board 2,54 pitch Single Row 180° Angle	
00	Created Part	29.04.24	K.M.	29.04.24	S.R.		
Rev:	Description of change	Date Created:	Name:	Date checked:	Name:	General Tolerances: X.±0.30 X.°±5° X.X±0.2 .X°±2° X.XX±0.15 .XX°±1° X.XXX±0.10 .XXX°±0.5°	Partnumber: 25-xxx
RoHS compliant REACH compliant							
Material: Copperalloy/Housing: High temperature thermoplastic						 info@samytronic.de www.samytronic.de	
Surface: Tin/Gold						MS-Level: 1	Samytronic GmbH Flensburger Str. 26 33605 Bielefeld Germany
Weight: 0.12	g	Area:	mm ²	Sheet size: A3	Unit: mm	Scale: 3:1	Projection
						Sheet: 1 OF 2	

ORDERING INFORMATION

FPH254 - 18 - S - XX - X - XX - X - XX - AXX - BXX

-FPH254:
PIN HEADER 2.54 PITCH

-09: 90° Angle
-18: 180° Angle

-S: SINGLE ROW
-D: DOUBLE ROW

CONTACTS:
-02 up to **-20**

-B: BLACK
-N: NATURAL

PLATING SPEC:

-01: 1μ" (0.025μm) GOLD
-03: 3μ" (0.076μm) Selective GOLD
-10: 10μ" (0.25μm) Selective GOLD
-30: 30μ" (0.76μm) Selective GOLD
-T: 120μ" (5μm) MATTE TIN

Optional: You can specify the area on the contact pins A and B, which should be selective gold





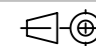
LENGTH OF CONTACT PIN B:
-B25: 2.5mm
-B37: 3.7mm

LENGTH OF CONTACT PIN A:

-A30: 3.0mm	-A70: 7.0mm
-A35: 3.5mm	-A75: 7.5mm
-A40: 4.0mm	-A80: 8.5mm
-A45: 4.5mm	-A85: 8.5mm
-A50: 5.0mm	-A90: 9.0mm
-A55: 5.5mm	-A95: 9.5mm
-A60: 6.0mm	-A100: 10mm
-A65: 6.5mm	

OPTION:
-PB: PE BAG
-L: TUBE
-LP: TUBE + PICK PAD
-M: TAPE & REEL
-MP: TAPE & REEL + PICK PAD

-3: LCP
-7: PA9T

						Order Code:	
						Description:	
00	Created Part	19.Jun.23	K.M.	19.Jun.23	S.R.		
Rev:	Description of change	Date Created:	Name:	Date checked:	Name:	General Tolerances:	Partnumber:
RoHS compliant  REACH compliant 						X.±0.30 X.°±5° X.X±0.2 X.°±2° X.XX±0.15 .XX°±1° X.XXX±0.10 .XXX°±0.5°	
Material:						 info@samytronic.de www.samytronic.de	
Surface:						MS-Level:	1
Weight:	g	Area:	mm²	Sheet size:	A3	Unit:	mm
Scale: 3:1		Projection				Sheet: 2 OF 2	

Copyright reserved to ISO 16016. The property and copyright of this drawing remains the company Samytronic GmbH. It is entrusted to you as the recipient for personal use only. Without a written permission from Samytronic GmbH this may not be copied and reproduced, or sent and made accessible to third parties, especially competitors. Doing so is obliged to pay compensation.