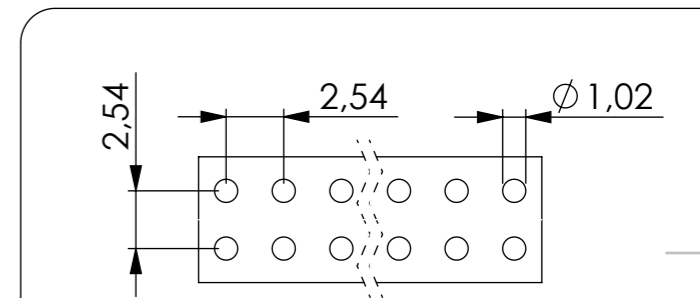
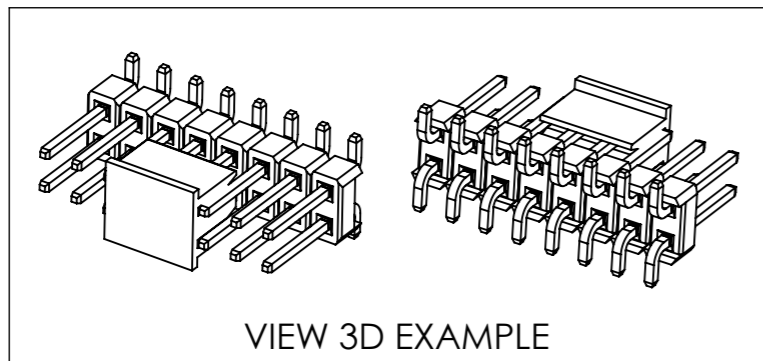


Specifications
 Electrical:
 Current Rating: 3.0A AC(rms) /DC
 Voltage Rating: 250V AC(rms) /DC
 Contact Resistance: 10 mΩ Max
 Insulation Resistance: 1000 MΩ Min
 Withstanding Voltage: 600V AC r.m.s
 Temperature Range-Operating: -40°C~+105°C

Material:
 Housing: High temperature thermoplastic, UL94V-0
 Pin: copper alloy



RECOMMENDED PC BOARD LAYOUT



VIEW 3D EXAMPLE

						Order Code: FPH254-18-D-XX-B-X-XX-7-MP-LXX	
						Description: PIN HEADER Board-to-Board 2,54 pitch Double Row 180° Angle	
00	Created Part	29.04.24	K.M.	29.04.24	S.R.		
Rev:	Description of change	Date Created:	Name:	Date checked:	Name:	General Tolerances: X.±0.30 X.°±5° X.X±0.2 .X°±2° X.XX±0.15 .XX°±1° X.XXX±0.10 .XXX°±0.5°	Partnumber: 26-XXX
RoHS compliant REACH compliant							
Material: Copperalloy/Housing: High temperature thermoplastic						 info@samytronic.de www.samytronic.de	
Surface: Gold or Tin						MS-Level: 1	Samytronic GmbH Flensburger Str. 26 33605 Bielefeld Germany
Weight:	g	Area:	mm ²	Sheet size: A3	Unit: mm	Scale: 3:1	Projection
						Sheet: 1 OF 4	

Copyright reserved to ISO 16016
 The property and copyright of this drawing remains the company Samytronic GmbH. It is entrusted to you as the recipient for personal use only. Without a written permission from Samytronic GmbH this may not be copied and reproduced, or sent and made accessible to third parties, especially competitors. Doing so is obliged to pay compensation.

ORDERING INFORMATION

FPH254 - 18 - X - XX - B - X - XX - X - XX - LXX

-FPH254:
PIN HEADER 2.54 PITCH

-18: 180° Angle

-S: SINGLE ROW
-D: DOUBLE ROW

CONTACTS:
-02 up to **-20**

-B: BLACK
-N: NATURAL

-3: THROUGH HOLE
-5: SURFACE MOUNT

PLATING SPEC:
-01: 1μ" (0.025μm) GOLD
-03: 3μ" (0.076μm) Selective GOLD
-10: 10μ" (0.25μm) Selective GOLD
-30: 30μ" (0.76μm) Selective GOLD
-T: 120μ" (5μm) MATTE TIN

Optional: You can specify the area on the contact pin S, which should be selective gold






LENGTH OF CONTACT PIN L:

-L30: 3.0mm	-L70: 7.0mm
-L35: 3.5mm	-L75: 7.5mm
-L40: 4.0mm	-L80: 8.5mm
-L45: 4.5mm	-L85: 8.5mm
-L50: 5.0mm	-L90: 9.0mm
-L55: 5.5mm	-L95: 9.5mm
-L60: 6.0mm	-L100: 10mm
-L65: 6.5mm	

OPTION:

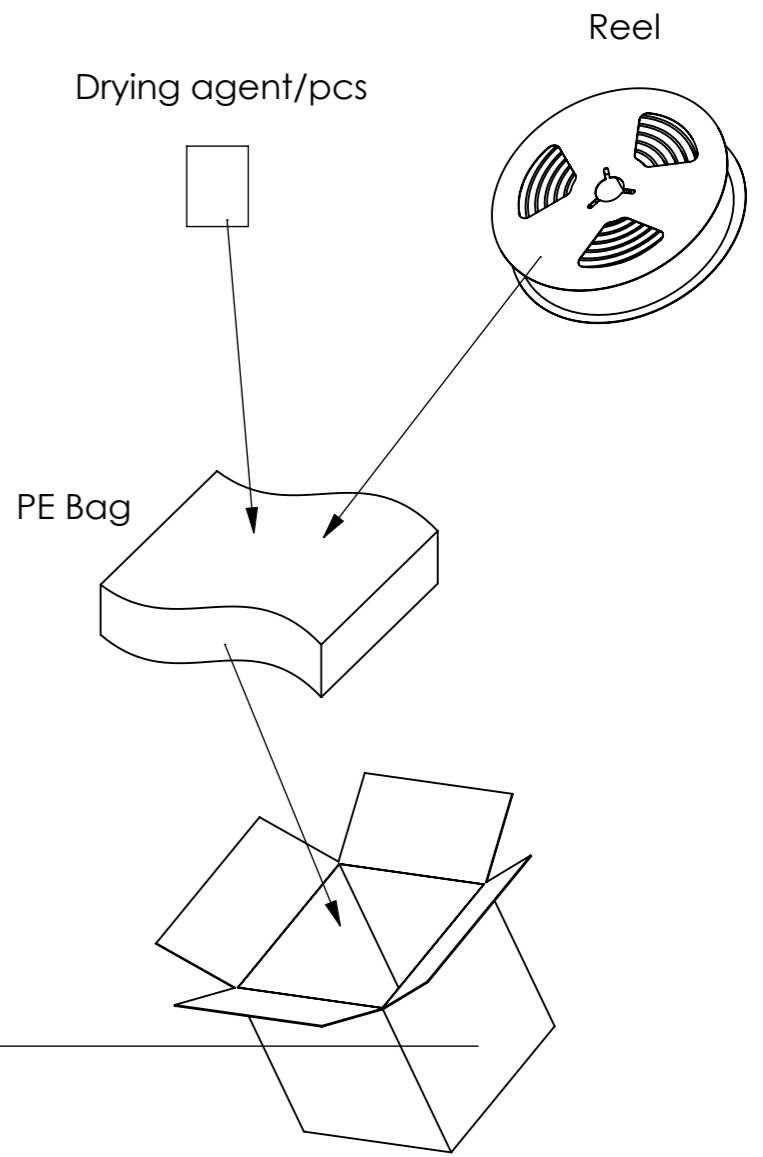
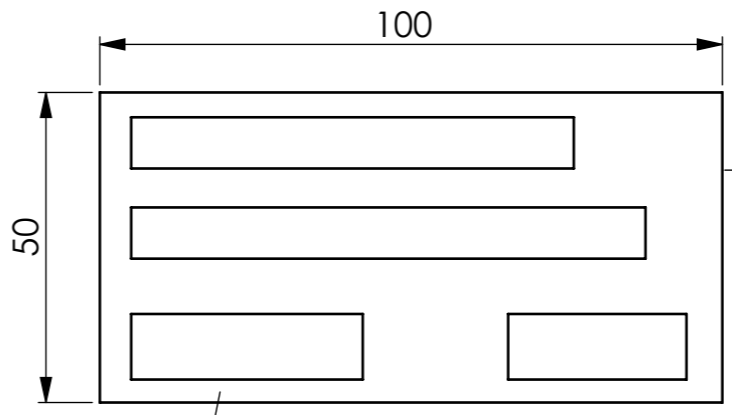
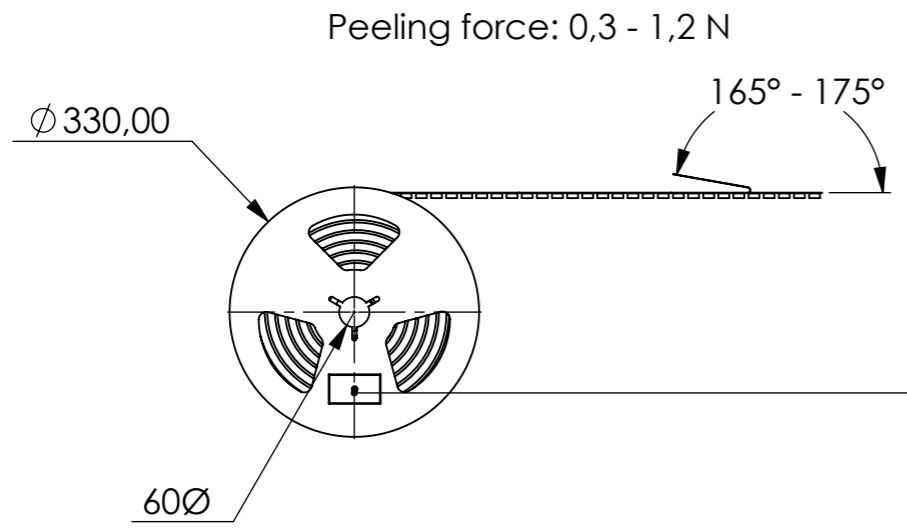
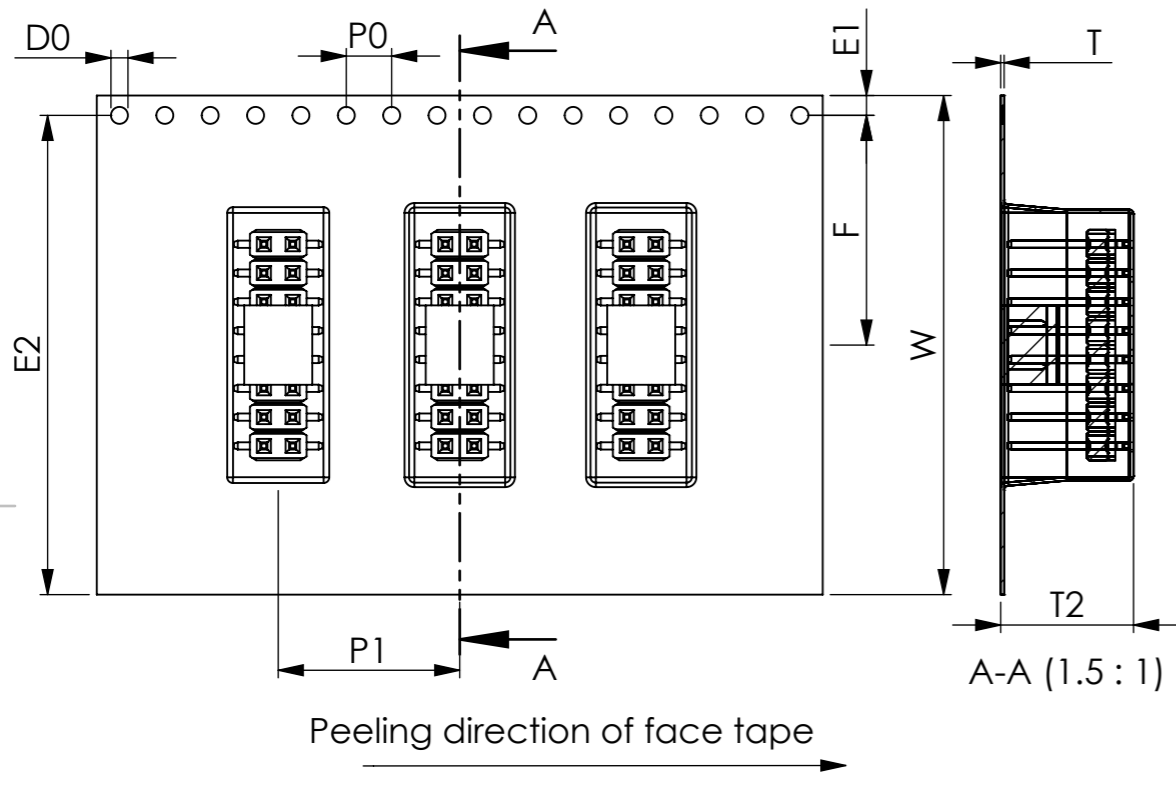
-PB: PE BAG
-L: TUBE
-LP: TUBE + PICK PAD
-M: TAPE & REEL
-MP: TAPE & REEL + PICK PAD

-3: LCP
-7: PA9T

						Order Code:	
						Description:	
00	Created Part	19.Jun.23	K.M.	19.Jun.23	S.R.		
Rev:	Description of change	Date Created:	Name:	Date checked:	Name:	General Tolerances:	Partnumber:
RoHS compliant  REACH compliant 						X.±0.30 X.°±5° X.X±0.2 X.°±2° X.XX±0.15 .XX°±1° X.XXX±0.10 .XXX°±0.5°	
Material:							
Surface:						info@samytronic.de www.samytronic.de	
Weight: g Area: mm² Sheet size: A3 Unit: mm						MS-Level: Scale: 3:1 Projection  Sheet: 2 OF 4	

Copyright reserved to ISO 16016
 The property and copyright of this drawing remains the company Samytronic GmbH. It is entrusted to you as the recipient for personal use only. Without a written permission from Samytronic GmbH this may not be copied and reproduced, or sent and made accessible to third parties, especially competitors. Doing so is obliged to pay compensation.

	8	7	6	5	4	3	2	1
	W	T2	P0	P1	D0	E1	F	Tape Name
tolerance	+0,3/-0,1	max.	±0,1	±0,1	+0,1/-0,0	±0,1	±0,1	
size	16	5+L	4,00	16	1,50	1,75	6,25	Polyester ene
	24						10,25	
	32						14,25	
	44						20,25	
	56						26,25	
	64						30,25	
	72						34,25	
	Packaging unit Single Row	Packaging unit Double Row	Number of Reels per box	Box dimensions				
	pcs.	pcs.	pcs.	cm				



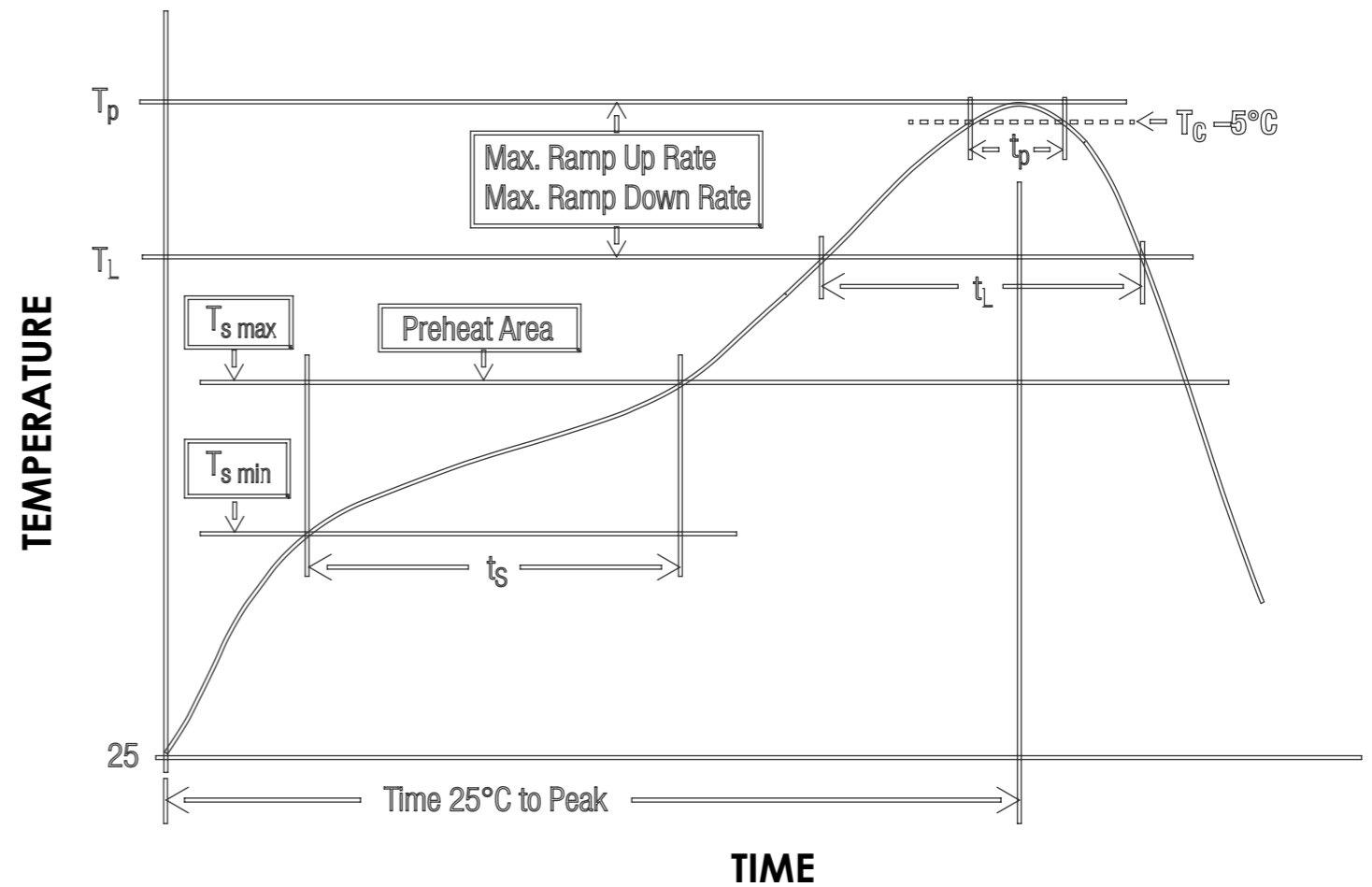
00	Created Part	19.Jun.23	K.M.	19.Jun.23	S.R.	Order Code:	
Rev:	Description of change	Date Created:	Name:	Date checked:	Name:	Description:	
RoHS compliant REACH compliant						General Tolerances: X.±0.30 X.°±5° X.X±0.2 .X.°±2° X.XX±0.15 .XX°±1° X.XXX±0.10 .XXX°±0.5°	Partnumber:
Material:						 info@samytronic.de www.samytronic.de	Samytronic GmbH Flensburger Str. 26 33605 Bielefeld Germany
Surface:						MS-Level:	
Weight:	g	Area:	mm²	Sheet size:	A3	Unit: mm	Scale: 3:1
						Projection	Sheet: 3 OF 4

CLASSIFICATION REFLOW PROFILE

Classification Reflow Soldering Profile:

Profile Feature	Value
Preheat Temperature Min (T_{smin}) ¹⁾	150 °C
Preheat Temperature Max (T_{smax})	200 °C
Preheat Time (t_s) from (T_{smin} to T_{smax})	60 - 120 seconds
Ramp-up rate (T_L to T_P)	3 °C/ second max.
Liquidous temperature (T_L)	217 °C
Time (t_L) maintained above T_L	60 - 150 seconds
Peak package body temperature (T_P)	$T_P \leq T_C$, see table below
Time (t_p)* within 5 °C of actual peak temperature	20 - 30 seconds
Ramp-down rate (T_P to T_L)	6 °C / second max.
Time 25 °C to peak temperature	8 minutes max.

1) refer to IPC/JEDEC J-STD-020E



Package Classification Reflow Temperature (T_C):

Properties	Volume mm ³ < 350	Volume mm ³ 350 - 2000	Volume mm ³ >2000
PB-Free Assembly Package Thickness < 1.6 mm ¹⁾	260 °C	260 °C	260 °C
PB-Free Assembly Package Thickness 1.6 mm - 2.5 mm	260 °C	250 °C	245 °C
PB-Free Assembly Package Thickness ≥ 2.5 mm	250 °C	245 °C	245 °C

1) refer to IPC/JEDEC J-STD-020E

					Order Code:	
					Description:	
					Classification Profile	
Rev:	Description of change	Date Created:	Name:	Date checked:	Name:	General Tolerances:
						X.±0.30 X.°±5° X.X±0.2 .X°±2° X.XX±0.15 .XX°±1° X.XXX±0.10 .XXX°±0.5°
RoHS compliant REACH compliant					Partnumber:	
Material:					 info@samytronic.de www.samytronic.de	
Surface:					MS-Level:	
Weight:	g	Area:	mm ²	Sheet size:	A3	Unit: mm
				Scale: 3:1	Projection	Sheet: 4 OF 4

Copyright reserved to ISO 16016. The property and copyright of this drawing remains the company Samytronic GmbH. It is entrusted to you as the recipient for personal use only. Without a written permission from Samytronic GmbH this may not be copied and reproduced, or sent and made accessible to third parties, especially competitors. Doing so is obliged to pay compensation.