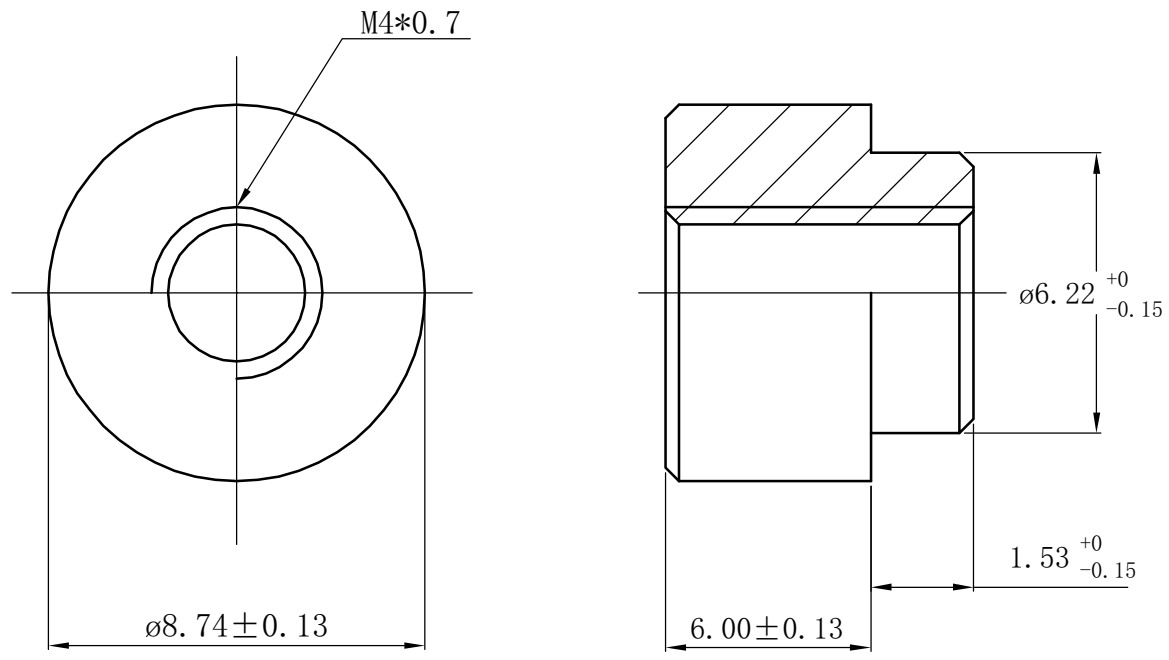

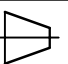


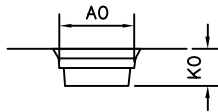
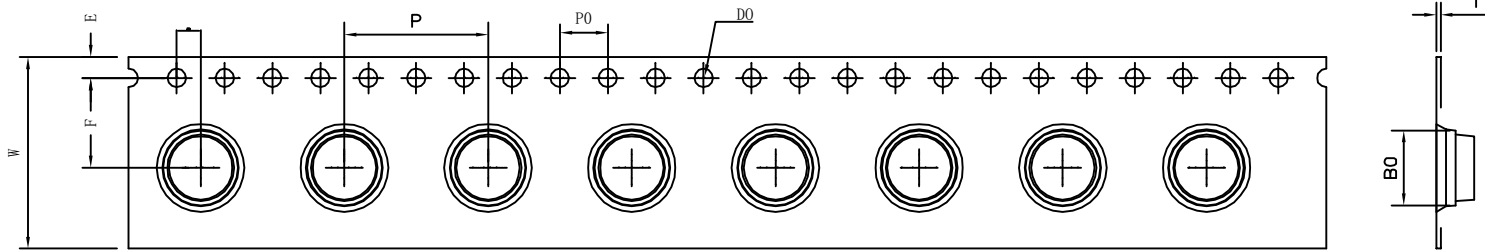
**RoHS**  
Compliant

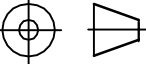


REVISION RECORD				SCOPE				  <b>SamyTronic</b>				
DATE	NEW REVISION	REVISION PERSON	REVISION DETAILED	X.	±0.20	X.	±4'	Unit: mm	Custom Confirm:	DATE:	PART NUMBER: SMTML4060MTJ	REVISION
/	/	/	/	.XX	±0.10	.X'	±2'		Material Steel #215	APPD:	DATE: 2017/09/08	DESCRIPTION: M4*8.74*L6+1.53
					±0.05	.XX'	±1'	Brass C3604	DRAMN: Yong Wu	DATE: 2017/09/08	PART NUMBER: /	REVISION
								Finish:	BASED ON: PEMSMTSO		DESCRIPTION: /	A
								Tin	STANDARD REFER: CUSTOM DWG		SCALE: /	SHEEER: 1 OF 1

	1		2				3				4		5		6	
ITRM	W	A0	B0	K0	K1	P	F	E	DO	P0	P2	T				
DIM	24.00	9.20	9.20	8.00	--	16.00	11.50	1.75	1.50	4.00	2.00	0.50				
TOLE	±0.05	±0.15	±0.10	±0.10	±0.10	±0.10	±0.10	±0.10	±0.10	±0.10	±0.15	±0.05				

**RoHS**  
Compliant



REVISION RECORD				SCOPE				 <b>SamyTronic</b>				
DATE	NEW REVISION	REVISION PERSON	REVISION DETAILED	X.	±0.20	X.*	±4'					UNIT: mm
/	/	/	/	.XX	±0.05	.XX*	±1'	MATERIAL: PS/BLACK	APPD:	Date: 2017/03/23	Description: T0.5*24	A
				Product type: SMTML-M4/4.2-(4.5/6.0)				Resistanse: ESD	/ BASED ON PEMSMTSO:		/	/
				Quantity: 500pcs/reel					STANDARD REFER: CUSTOM DRAWING		SCALE: /	1 OF 1