
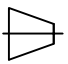
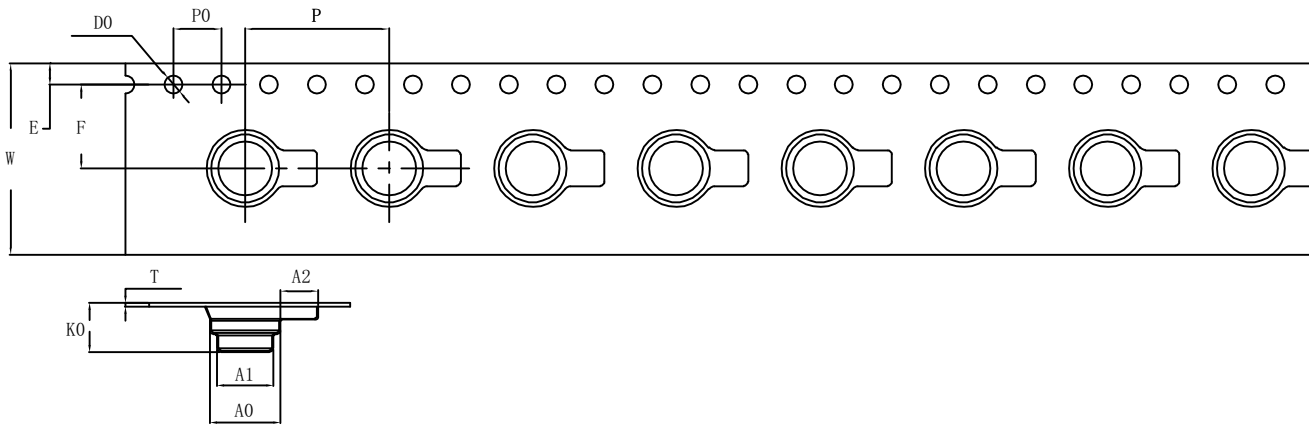



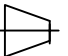

RoHS2.0
Compliant

REVISION RECORD				SCOPE				  SamyTronic				
DATE	NEW REVISION	REVISION PERSON	REVISION DETAILED	X.	±0.20	X'	±4'	Unit: mm	Custom Confirm:	DATE:	PART NUMBER: SMTWAM330SMTJ (0.8)	REVISION
/	/	/	/	.X	±0.10	.X'	±2'	Material:	APPD:	DATE: 2024/01/31	DESCRIPTION: 3.3*6*0.8+0.8	A
				.XX	±0.05	.XX'	±1'	Steel	DRAMN:	DATE: 2024/01/31	PART NUMBER:	REVISION
				Package Type:				Finish:	BASED ON: CUSTOM DWG		DESCRIPTION: /	A
				Reel package				Tin	STANDARD REFER: CUSTOM DWG		SCALE: /	SHEEER: 1 OF 2
				Quantity: 2000pcs/R								

	1	2					3			4			5	6
ITRM	W	A0	A1	A2	K0	P	F	E	D0	P0	P2	T		
DIM	16.00	6.50	4.70	2.40	2.40	12.00	7.50	1.75	1.50	4.00	--	0.30		
TOLE	±0.30	±0.15	±0.15	±0.15	±0.30	±0.20	±0.50	±0.20	±0.10	±0.20	±0.15	±0.05		

RoHS
 Compliant



REVISION RECORD				SCOPE				 					
				.	±0.20	.X'	±4'						
DATE	NEW REVISION	REVISION DETAILED	REVISION PERSON	.X	±0.10	.X'	±2'	Unit: mm	Custom Confirm:	Date:	Part number:	Rev.	
/	/	/	/	.XX	±0.05	.XX'	±1'	MATERIAL:	Appd:	Date: 2023/06/25	Description: T0. 3*16	A	
				Product type: SMTWAM3308MTJ/ SMTWAM3308MTJ(0.8)				PS/BLACK	Drawn:	Date: 2023/06/25		Rev.	
				Quantity: 2000pcs/reel				Resistance: ESD	Based on WE			/	
										STANDARD REFER: CUSTOM DRAWING		SCALE: /	SHEET: 2 OF 2